

TA-5705H-14-90 Sector

5725-5875 MHz



The TA-5705H-14-90 is a horizontally polarized 90 degree sectoral antenna. The antenna consists of a printed dipole array enclosed in an aluminum base with a UV stabilized radome for superior weatherability. The antenna is at DC ground to aid in lightning protection.

Electrical Specifications

Frequency Range: 5725-5875 MHz
Gain: 16.5 dBi min.
VSWR: 1.5:1
Front to Back Ratio: 25 dB min.
Polarization: Horizontal
Power Rating: 5 Watts
H-Plane Beamwidth: 5 degrees
E-Plane Beamwidth: 90 degrees
Cross Pol. Discrimination: 20 dB min.
Impedance: 50 ohms nominal
Termination: N female

Typical mid band values. (For details , contact factory)
 Specifications subject to change without notice

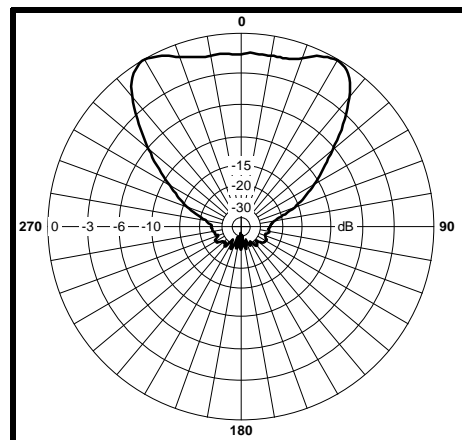
Mechanical Specifications

Length: 24.5 in. (622 mm)
Width: 9.0 in. (229 mm)
Depth: 2.25 in. (57mm)
Weight (incl. Clamps): 6 lb. (2.72 kg)
Rated Wind Velocity: 125 mph (200 km/h)
Hor. Thrust at rated wind: 96 lb. (43.5 kg)
Mechanical Tilt: 0+/-16 degrees
Mounting (O.D.): 0.75 - 2.0 in. (19 - 51 mm)

Materials

Radiating Elements: Plated Copper on PCB
Reflector: Irridited aluminum
Radome: Gray UV stabilized ASA
Clamps: Aluminum and stainless steel

E-Plane



H-Plane

