

## TA-5405H-14-90 Sector

### 5470-5725 MHz



The TA-5405H-14-90 is a horizontally polarized 90 degree sectoral antenna. The antenna consists of a printed dipole array enclosed in an aluminum base with a UV stabilized radome for superior weatherability. The antenna is at DC ground to aid in lightning protection.

#### Electrical Specifications

**Frequency Range:** 5470-5725 MHz  
**Gain:** 16.5 dBi min.  
**VSWR:** 1.65:1 max.  
**Front to Back Ratio:** 25 dB min.  
**Polarization:** Horizontal  
**Power Rating:** 5 Watts  
**H-Plane Beamwidth:** 5 degrees  
**E-Plane Beamwidth:** 90 degrees  
**Cross Pol. Discrimination:** 20 dB min.  
**Impedance:** 50 ohms nominal  
**Termination:** N female

Typical mid band values. (For details , contact factory)  
 Specifications subject to change without notice

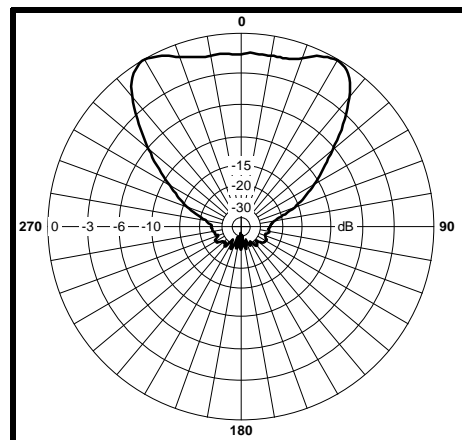
#### Mechanical Specifications

**Length:** 24.5 in. (622 mm)  
**Width:** 9.0 in. (229 mm)  
**Depth:** 2.25 in. (57mm)  
**Weight (incl. Clamps):** 6 lb. (2.72 kg)  
**Rated Wind Velocity:** 125 mph (200 km/h)  
**Hor. Thrust at rated wind:** 96 lb. (43.5 kg)  
**Mechanical Tilt:** 0+/-16 degrees  
**Mounting (O.D.):** 0.75 - 2.0 in. (19 - 51 mm)

#### Materials

**Radiating Elements:** Plated Copper on PCB  
**Reflector:** Irridited aluminum  
**Radome:** Gray UV stabilized ASA  
**Clamps:** Aluminum and stainless steel

E-Plane



H-Plane

