

## TA-3404-8-60 Sector

### 3300-3800 MHz



The TA-3404-8-60 is a vertically polarized 60 degree sectoral antenna. The antenna complies with ETSI EN 302 085 V1.1.2 Section 6.1 CS1 standard. The TA-3404-8-60 consists of a printed broadband dipole array enclosed in an aluminum cavity and UV stabilized ASA radome for superior weatherability. The antenna is at DC ground to aid in lightning protection.

#### Electrical Specifications

**Frequency Range:** 3300-3800 MHz  
**Gain:** 17 dBi typ, 16 dBi @ 3700-3800 Mhz  
**VSWR:** 1.5:1 @ 3.4-3.8 GHz, 2:1 @ 3.3-3.4 GHz  
**Front to Back Ratio:** 25 dB min. 30 typical  
**Polarization:** Vertical  
**Power Rating:** 50 Watts  
**H-Plane Beamwidth:** 60 degrees  
**E-Plane Beamwidth:** 6.7 degrees  
**Cross Pol. Discrimination:** 20 dB min.  
**Impedance:** 50 ohms nominal  
**Termination:** N female

Typical mid band values. (For details , contact factory)  
 Specifications subject to change without notice

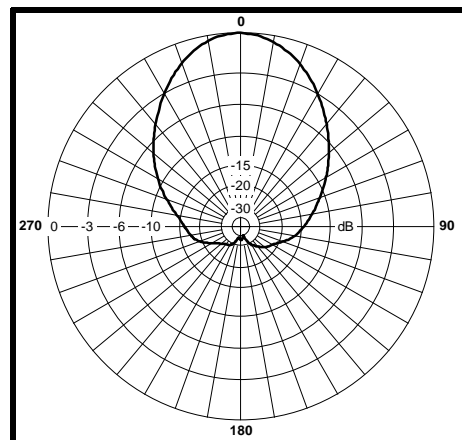
#### Mechanical Specifications

**Length:** 27.4 in. (696.7 mm)  
**Width:** 3.25 in. (83 mm)  
**Depth:** 3 in. (76 mm)  
**Weight (incl. Clamps):** 5 lb. (2.3 kg)  
**Rated Wind Velocity:** 125 mph (200 km/h)  
**Hor. Thrust at rated wind:** 26 lb. (11.8 kg)  
**Mechanical Tilt:** 0 - 20 degrees  
**Mounting (O.D.):** 0.75 - 3.0 in. (19 - 76 mm)

#### Materials

**Radiating Elements:** Plated copper on PCB  
**Reflector:** Irridited aluminum  
**Radome:** Gray UV stabilized ASA  
**Clamps:** EDZ and HDG steel

H-Plane



E-Plane

