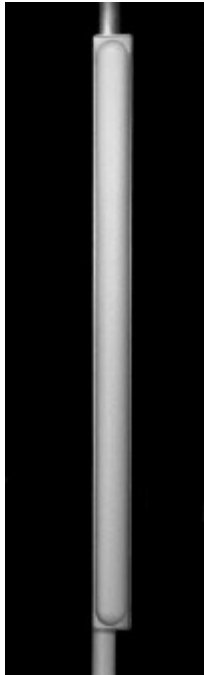


TA-3404-16-60 Sector 3400-3700 MHz



The TA-3404-16-60 is a vertically polarized 60 degree sectoral antenna. The antenna consists of a broadband dipole array on printed circuit boards enclosed in an aluminum cavity with a weatherproof plastic cover. The antenna elements are at DC ground to aid in lightning protection. Due to the very narrow elevation beamwidth, TIL-TEK recommends that this antenna be used on stable platforms and where other options are not practical.

Electrical Specifications

Frequency Range: 3400-3700 MHz
Gain: 19.75 dBi
VSWR: 1.5:1 max.
Front to Back Ratio: 20 dB min. 25 typical
Polarization: Vertical
Power Rating: 50 Watts
H-Plane Beamwidth: 60 degrees
E-Plane Beamwidth: 3.5 degrees
Cross Pol. Discrimination: 15 dB min.
Impedance: 50 ohms nominal
Termination: N female

Mechanical Specifications

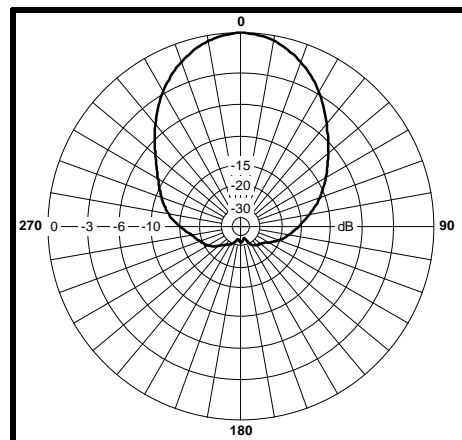
Length: 53 in. (1346 mm)
Width: 3.25 in. (83 mm)
Depth: 3 in. (76 mm)
Weight (incl. Clamps): 7 lb. (3.2 kg)
Rated Wind Velocity: 125 mph (200 km/h)
Hor. Thrust at rated wind: 50 lb. (22.7 kg)
Mechanical Tilt: 0 - 15 degrees
Mounting (O.D.): 0.75 - 2.0 in. (19 - 51 mm)

Materials

Radiating Elements: Tin plated copper on PCB
Reflector: Irridited aluminum
Radome: Gray UV stabilized ASA
Clamps: Aluminum and stainless steel

Typical mid band values. (For details , contact factory)
 Specifications subject to change without notice

H-Plane



E-Plane

