

TA-3402H-8-90 Sector

3400-3700 MHz



The TA-3402H-8-90 is a horizontally polarized 90 degree sectoral antenna designed to comply with the ETSI EN 302 085 V1.1.2 Section 6.2 CS3 standard. The antenna consists of a printed dipole array enclosed in an aluminum base with a UV stabilized radome for superior weatherability. The antenna is at DC ground to aid in lightning protection.

Electrical Specifications

Frequency Range: 3400-3700 MHz
Gain: 14 dBi
VSWR: 1.5:1
Front to Back Ratio: ETSI CS3
Polarization: Horizontal
Power Rating: 25 Watts
H-Plane Beamwidth: 9 degrees
E-Plane Beamwidth: 90 degrees
Cross Pol. Discrimination: ETSI CS3
Impedance: 50 ohms nominal
Termination: N female

Typical mid band values. (For details , contact factory)
 Specifications subject to change without notice

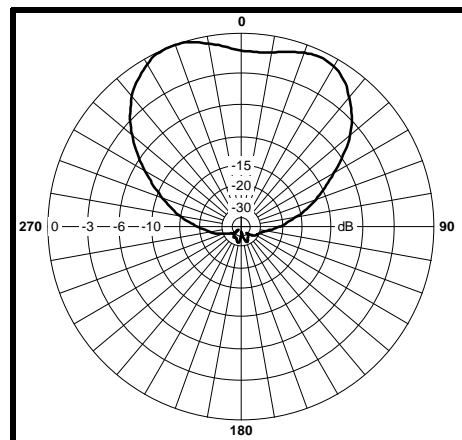
Mechanical Specifications

Length: 23.8 in. (604.5 mm)
Width: 9.4 in. (238.8 mm)
Depth: 2.75 in. (69.8 mm)
Weight (incl. Clamps): 4.5 lb. (2.0 kg)
Rated Wind Velocity: 125 mph (200 km/h)
Hor. Thrust at rated wind: 96 lb. (43.5 kg)
Mechanical Tilt: 0+/-16 degrees
Mounting (O.D.): 0.75 - 2.0 in. (19 - 51 mm)

Materials

Radiating Elements: Plated Copper on PCB
Reflector: Irridited aluminum
Radome: Gray UV stabilized ASA
Clamps: Aluminium and stainless steel

E-Plane



H-Plane

