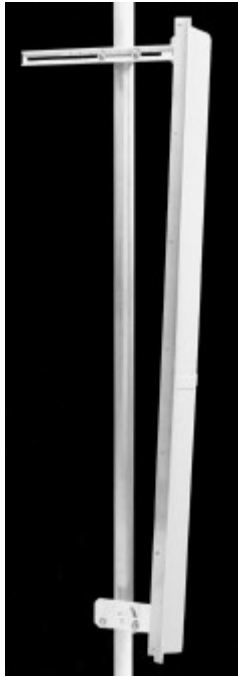


## TA-2505H-16-50 Sector

### 2500-2700 MHz



The TA-2505H-16-50 is a high-gain horizontally polarized 50 degree sectoral antenna. It consists of a linear dipole array with fixed side panels to achieve the correct beamwidth. Radiating elements are protected by a weatherproof radome for operation under severe weather conditions and are at DC ground to aid in lightning protection. Due to the very narrow elevation beamwidth, TIL-TEK recommends that this antenna be used on stable platforms and where other options are not practical.

#### Electrical Specifications

**Frequency Range:** 2500-2700 MHz  
**Gain:** 19.5 +/- 0.5 dB  
**VSWR:** 1.5:1 max.  
**Front to Back Ratio:** 25 dB min.  
**Polarization:** Horizontal  
**Power Rating:** 50 Watts  
**H-Plane Beamwidth:** 5° +/- 0.5°  
**E-Plane Beamwidth:** 50° +/- 5°  
**Cross Pol. Discrimination:** 20 dB (azimuth)  
**Impedance:** 50 ohms nominal  
**Termination:** N female

#### Mechanical Specifications

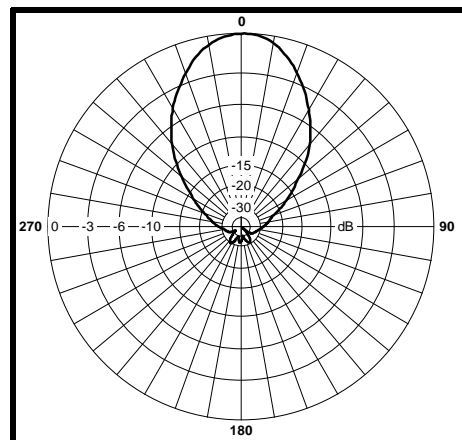
**Length:** 70.5 in. (1792 mm)  
**Width:** 8 in. (203 mm)  
**Depth:** 3.75 in. (95 mm)  
**Weight (incl. Clamps):** 16 lb. (7.3 kg)  
**Rated Wind Velocity:** 125 mph (200 km/h)  
**Hor. Thrust at rated wind:** 243 lb. (110 kg)  
**Mechanical Tilt:** 0 - 10°, 1° increments  
**Mounting (O.D.):** 0.75 - 3.0 in. (19 - 76 mm)

#### Materials

**Radiating Elements:** Tin-Plated copper on PCB  
**Reflector:** Irridited aluminum  
**Radome:** Gray UV stabilized ASA  
**Clamps:** Aluminum and HDG steel

Typical mid band values. (For details , contact factory)  
 Specifications subject to change without notice

E-Plane



H-Plane

