

# LANtenna Series

## TA-2405H-4-90 Sector

### 2400-2483 MHz



The TA-2405H-4-90 is a horizontally polarized 90 degree sectoral antenna. It was designed specifically for wireless data and point-to-multipoint radio applications. Radiating elements are protected by a weatherproof radome for operation under severe weather conditions (icing, salt air, acid rain, etc.) and are at DC ground to aid in lightning protection.

#### Electrical Specifications

**Frequency Range:** 2400-2483 MHz  
**Gain:** 12 dBi  
**VSWR:** 1.5:1 max.  
**Front to Back Ratio:** 20 dB @ 180° +/- 30°  
**Polarization:** Horizontal  
**Power Rating:** 25 Watts  
**H-Plane Beamwidth:** 16 degrees  
**E-Plane Beamwidth:** 90 degrees  
**Cross Pol. Discrimination:** 20 dB min.  
**Impedance:** 50 ohms nominal  
**Termination:** N female

Typical mid band values. (For details , contact factory)  
 Specifications subject to change without notice

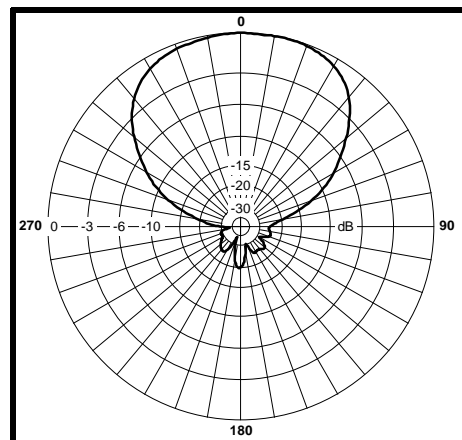
#### Mechanical Specifications

**Length:** 20.5 in. (520 mm)  
**Width:** 7.8 in. (198 mm)  
**Depth:** 3 in. (76 mm)  
**Weight (incl. Clamps):** 2.5 lb. (1.1 kg)  
**Rated Wind Velocity:** 125 mph (200 km/h)  
**Hor. Thrust at rated wind:** 69 lb. (31 kg)  
**Mechanical Tilt:** 0 - 15 degrees  
**Mounting (O.D.):** 0.75 - 3.0 in. (19 - 76 mm)

#### Materials

**Radiating Elements:** Tin plated copper on PCB  
**Reflector:** Irridited aluminum  
**Radome:** Gray UV stabilized ASA  
**Clamps:** Aluminum and stainless steel

E-Plane



H-Plane

