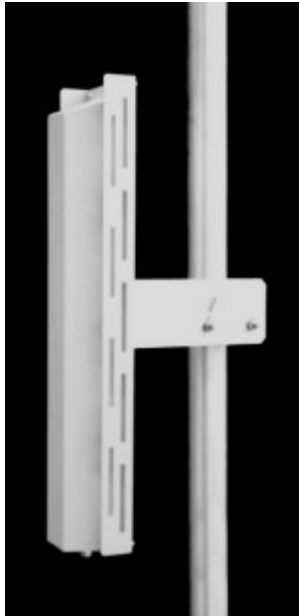


LANtenna Series

TA-2405H-4-60 Sector

2400-2483 MHz



The TA-2405H-4-60 is a horizontally polarized 60 degree sectoral antenna. It was designed specifically for wireless data and point-to-multipoint radio applications. Radiating elements are protected by a weatherproof radome for operation under severe weather conditions (icing, salt air, acid rain, etc.) and are at DC ground to aid in lightning protection.

Electrical Specifications

Frequency Range: 2400-2483 MHz
Gain: 13.5 dBi
VSWR: 1.5:1 max.
Front to Back Ratio: 20 dB @ 180° +/- 30°
Polarization: Horizontal
Power Rating: 25 Watts
H-Plane Beamwidth: 16 degrees
E-Plane Beamwidth: 60 degrees
Cross Pol. Discrimination: 20 dB min.
Impedance: 50 ohms nominal
Termination: N female

Typical mid band values. (For details , contact factory)
 Specifications subject to change without notice

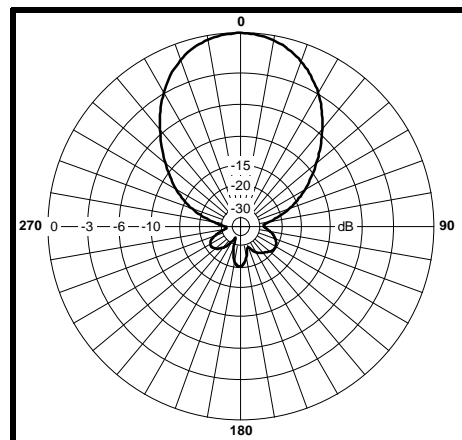
Mechanical Specifications

Length: 20.5 in. (520 mm)
Width: 5.1 in. (129 mm)
Depth: 3 in. (76 mm)
Weight (incl. Clamps): 2.5 lb. (1.1 kg)
Rated Wind Velocity: 125 mph (200 km/h)
Hor. Thrust at rated wind: 44 lb. (20 kg)
Mechanical Tilt: 0 - 15 degrees
Mounting (O.D.): 0.75 - 3.0 in. (19 - 76 mm)

Materials

Radiating Elements: Tin plated copper on PCB
Reflector: Irridited aluminum
Radome: Gray UV stabilized ASA
Clamps: Aluminum and stainless steel

E-Plane



H-Plane

