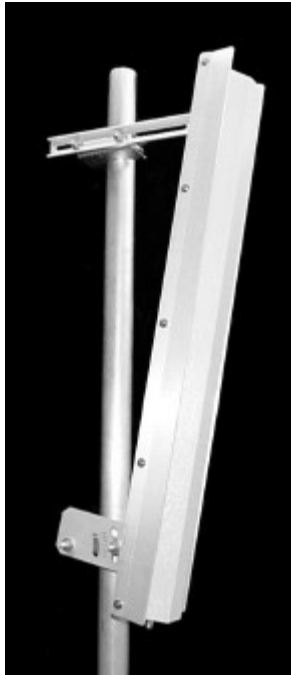


LANtenna Series

TA-2405H-2-45 Sector

2400-2483 MHz



The TA-2405H-2-45 is a high gain 45 degree horizontally polarized sectoral antenna consisting of a broadband dipole array mounted on a solid aluminum reflector and covered with a weatherproof radome. The antenna was designed for operation under severe weather conditions and is at DC ground to aid in lightning protection.

Electrical Specifications

Frequency Range: 2400-2483 MHz
Gain: 17 dBi
VSWR: 1.5:1 max.
Front to Back Ratio: 20 dB typical
Polarization: Horizontal
Power Rating: 25 Watts
H-Plane Beamwidth: 8 degrees
E-Plane Beamwidth: 45 degrees
Cross Pol. Discrimination: 20 dB min.
Impedance: 50 ohms nominal
Termination: N female

Typical mid band values. (For details , contact factory)
 Specifications subject to change without notice

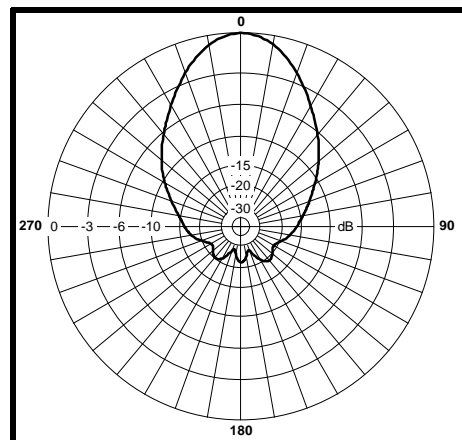
Mechanical Specifications

Length: 40 in. (1016 mm)
Width: 4.9 in. (124 mm)
Depth: 3.5 in. (89 mm)
Weight (incl. Clamps): 8 lb. (3.6 kg)
Rated Wind Velocity: 125 mph (200 km/h)
Hor. Thrust at rated wind: 84 lb. (38.1 kg)
Mechanical Tilt: 0 - 30 degrees (optional)
Mounting (O.D.): 0.75 - 3.0 in. (19 - 76 mm)

Materials

Radiating Elements: Tin plated copper on PCB
Reflector: Irridited aluminum
Radome: Gray UV stabilized ASA
Clamps: HDG steel

E-Plane



H-Plane

