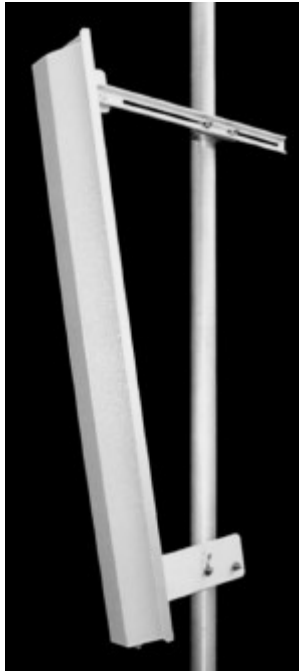


LANtenna Series

TA-2404-8-120 Sector

2400-2483 MHz



The TA-2404-8-120 is a vertically polarized 120 degree sectoral antenna. It was designed specifically for wireless data and point-to-multipoint radio applications. Radiating elements are protected by a weatherproof radome for operation under severe weather conditions (icing, salt air, acid rain, etc.) and are at DC ground to aid in lightning protection.

Electrical Specifications

Frequency Range: 2400-2483 MHz
Gain: 14 dBi
VSWR: 1.5:1 max.
Front to Back Ratio: 20 dB typical
Polarization: Vertical
Power Rating: 100 Watts
H-Plane Beamwidth: 120 degrees
E-Plane Beamwidth: 7 degrees
Cross Pol. Discrimination: 15 dB min.
Impedance: 50 ohms nominal
Termination: N female

Typical mid band values. (For details , contact factory)
 Specifications subject to change without notice

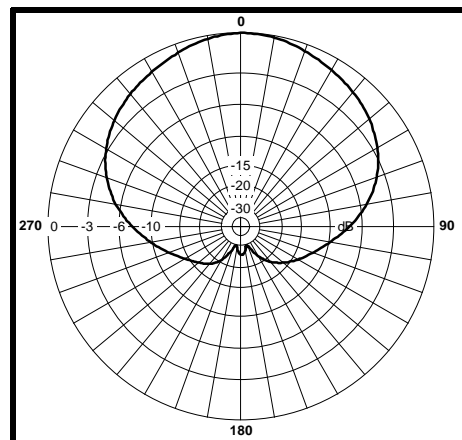
Mechanical Specifications

Length: 40 in. (1016 mm)
Width: 5.1 in. (129 mm)
Depth: 3 in. (76 mm)
Weight (incl. Clamps): 7.5 lb. (3.4 kg)
Rated Wind Velocity: 125 mph (200 km/h)
Hor. Thrust at rated wind: 87 lb. (39.5 kg)
Mechanical Tilt: 0 - 15 degrees
Mounting (O.D.): 0.75 - 2.0 in. (19 - 50 mm)

Materials

Radiating Elements: Tin plated copper on PCB
Reflector: Irridited aluminum
Radome: Gray UV stabilized ASA
Clamps: HDG steel

H-Plane



E-Plane

