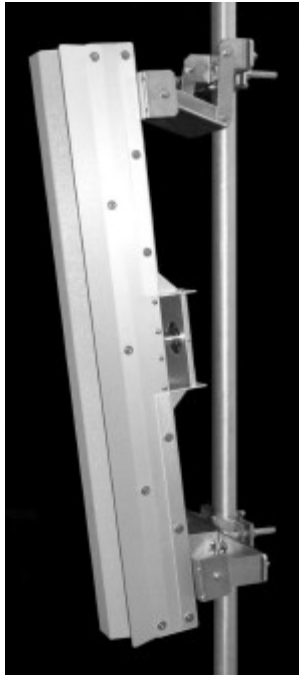




TA-2305-2-DAB-H

High Power Adjustable Sector

2305-2360 MHz



The TA-2305-2-DAB-H is a high power vertically polarized sectoral antenna specifically designed for Digital Audio Broadcast transmission. The antenna is designed to provide field adjustable azimuth beamwidths of 45, 60, 90, 120, or 160 degrees by use of side panels. The antenna elements are at DC ground to aid in lightning protection.

Electrical Specifications

- Frequency Range:** 2305-2360 MHz
- Gain:** 18 dBi @ 45°, 17 dBi @ 60°, 15 dBi @ 90°
14 dBi @ 120°, 13 dBi @ 160°
- VSWR:** 1.3:1 max.
- Front to Back Ratio:** 15 dB min.
- Polarization:** Vertical
- Power Rating:** 2000 W avg., 8000 W peak
- H-Plane Beamwidth:** 45°, 60°, 90°, 120°, 160°
- E-Plane Beamwidth:** 7 degrees
- Cross Pol. Discrimination:** 20 dB
- Impedance:** 50 ohms nominal
- Termination:** 7/8" EIA Flange

Typical mid band values. (For details , contact factory)
Specifications subject to change without notice

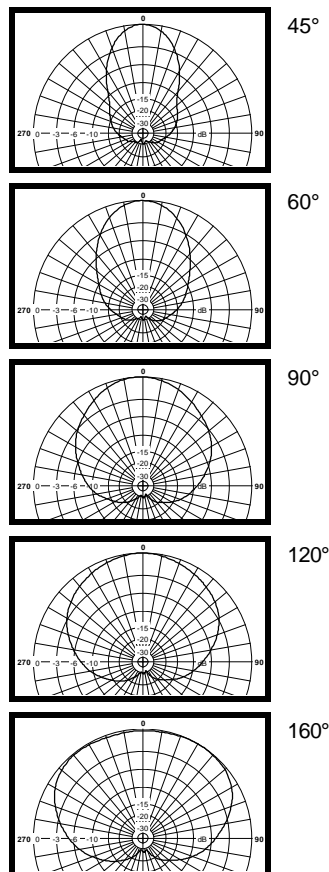
Mechanical Specifications

- Length:** 39.4 in. (1001 mm)
- Width:** 6.5 in. (165 mm) with 45° side panels
5.0 in. (127 mm) without 45° side panels
- Depth:** 9.0 in. (228.6 mm)
- Weight (incl. Clamps):** 31 lb. (14.1 kg)
- Rated Wind Velocity:** 125 mph (200 km/h)
- Hor. Thrust at rated wind:** 86 lb. (39 kg)
with 45° side panels: 111 lb. (50.4 kg)
- Mechanical Tilt:** 0° +/- 11.5°
- Mounting (O.D.):** 0.75 - 3.0 in. (19 - 76 mm)

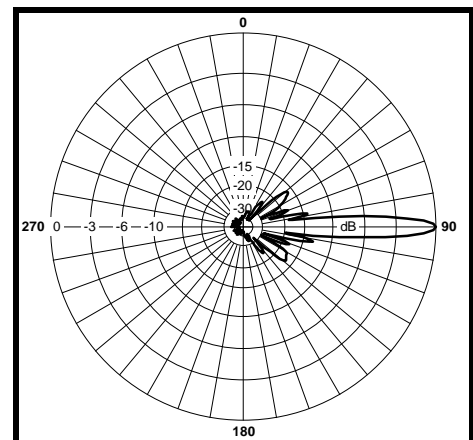
Materials

- Radiating Elements:** Tin Plated copper on PCB
- Reflector:** Irridated aluminum
- Radome:** Gray UV stabilized ASA
- Clamps:** Stainless and HDG steel

H-Plane



E-Plane



Rev. 1.2

2006-03-23

500 Van Buren Street
P.O. Box 550
Kemptonville, ON K0G 1J0
Canada



ISO 9001:2000
CGSB Registered
Certificate 961004

T: 613-258-5928
T: 877-ANTENNA
F: 613-258-7418
www.tiltek.com