

TA-1030 Panel

1030-1090 MHz



The TA-1030 is a medium gain, vertically polarized directional panel antenna. The antenna consists of a dipole array enclosed in an aluminum base with an ASA UV stabilized radome for superior performance and weatherability. The antenna is at DC ground to aid in lightning protection.

Electrical Specifications

Frequency Range: 1030-1090 MHz
Gain: 12.5 +/- 0.5 dBi
VSWR: 1.5:1 max.
Front to Back Ratio: 24 dB min.
Polarization: Vertical
Power Rating: 390 Watts
H-Plane Beamwidth: 37 degrees
E-Plane Beamwidth: 40 degrees
Cross Pol. Discrimination: 19 dB min.
Impedance: 50 ohms nominal
Termination: N female

Typical mid band values. (For details , contact factory)
 Specifications subject to change without notice

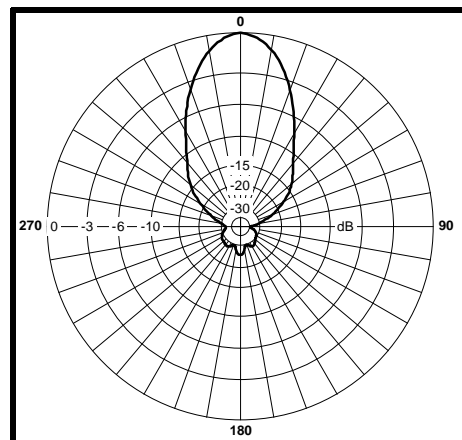
Mechanical Specifications

Length: 18 in. (457 mm)
Width: 23 in. (584 mm)
Depth: 7 in. (178 mm)
Weight (incl. Clamps): 15 lb. (6.8 kg)
Rated Wind Velocity: 125 mph (200 km/h)
Hor. Thrust at rated wind: 187 lb. (84.8 kg)
Mechanical Tilt: 0 degrees fixed
Mounting (O.D.): 1.88 to 3.0 in. (47.6 - 76 mm)

Materials

Radiating Elements: Aluminum
Reflector: Irridited aluminum
Radome: Gray UV stabilized ASA
Clamps: HDG and EDZ steel

H-Plane



E-Plane

