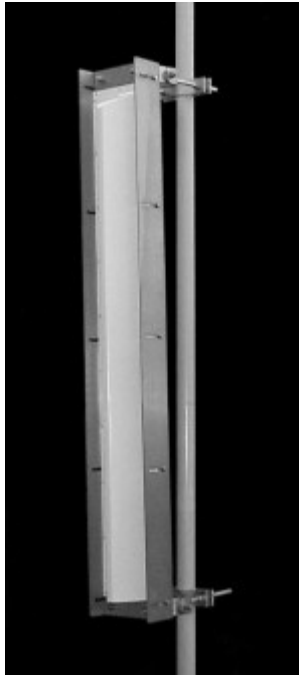


TA-1404-2 Adjustable Sector

1425-1535 MHz



The TA-1404-2 is a vertically polarized medium gain adjustable sectoral antenna. The antenna consists of a broadband dipole array enclosed in an aluminum cavity with a UV stabilized ASA radome for superior weatherability. The antenna is at DC ground to aid in lightning protection.

Electrical Specifications

- Frequency Range:** 1425-1535 MHz
- Gain:** 17.5dBi @ 60°, 15.5 dBi @ 90°
14.5 dBi @ 120°, 13 dBi @ 160°
- VSWR:** 1.5:1 max.
- Front to Back Ratio:** 20 dB min. 25 dB typical
- Polarization:** Vertical
- Power Rating:** 250 Watts
- H-Plane Beamwidth:** 60, 90, 120, 160 degrees
- E-Plane Beamwidth:** 8 degrees
- Electrical Downtilt:** 0, 2, 4 degrees
- Cross Pol. Discrimination:** 20 dB min.
- Impedance:** 50 ohms nominal
- Termination:** N female (7/16 optional)

Typical mid band values. (For details , contact factory)
Specifications subject to change without notice

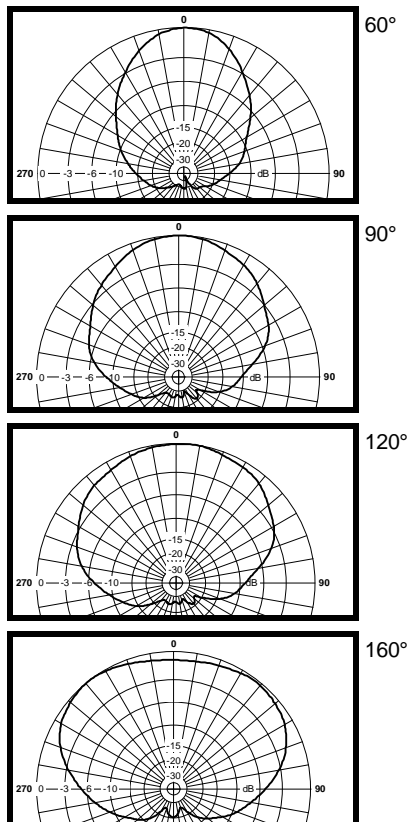
Mechanical Specifications

- Length:** 66.5 in. (1689 mm)
- Width:** 8 in. (203 mm)
- Depth:** 6 in. (152 mm)
- Weight (incl. Clamps):** 32 lb. (14.1 kg)
- Rated Wind Velocity:** 125 mph (200 km/h)
- Hor. Thrust at rated wind:** 231 lb. (105 kg)
- Mechanical Tilt:** 0 - 10 degrees (optional)
- Mounting (O.D.):** 1.75 - 4.0 in. (44.5 - 102 mm)

Materials

- Radiating Elements:** Irridited aluminum
- Reflector:** Irridited aluminum
- Radome:** Gray UV stabilized ASA
- Clamps:** HDG steel

H-Plane



E-Plane

