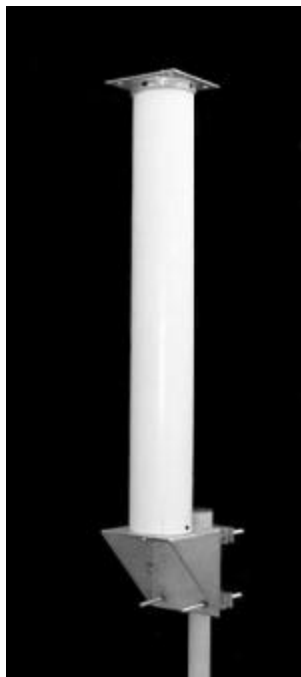


TA-1400H Omnidirectional

1425-1535 MHz



The TA-1400H is a horizontally polarized omnidirectional antenna consisting of a dipole array enclosed in a UV stabilized fiberglass radome for superior weatherability. The antenna is at DC ground to aid in lightning protection.

Electrical Specifications

Frequency Range: 1425-1535 MHz

Gain: 10 dBi

VSWR: 1.5:1 max.

Polarization: Horizontal

Power Rating: 150 Watts

H-Plane Beamwidth: 8 degrees

E-Plane Beamwidth: 360 degrees

Cross Pol. Discrimination: 15 dB min.

Impedance: 50 ohms nominal

Termination: N female (7/16 optional)

Typical mid band values. (For details, contact factory)

Mechanical Specifications

Length: 72 in. (1829 mm)

Diameter: 6.25 in. (159 mm)

Weight (Incl. Clamps): 32 lb. (14.5 kg)

Rated Wind Velocity: 125 mph (200 km/h)

Hor. Thrust at rated wind: 130 lb. (55.5 kg)

Mounting (O.D.): 1.75 - 4.0 in. (44.5 - 102 mm)

Materials

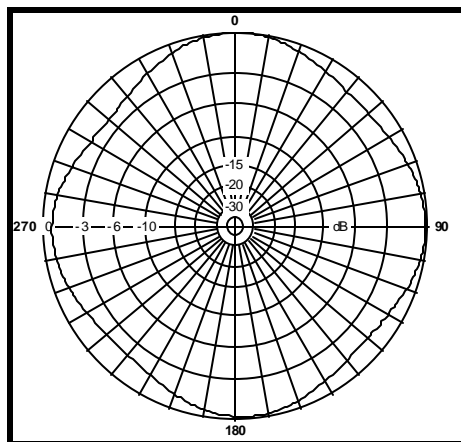
Radiating Elements: Stainless steel

Reflector: Irridited aluminum

Radome: White UV stabilized fiberglass

Clamps: HDG steel

E-Plane



H-Plane

